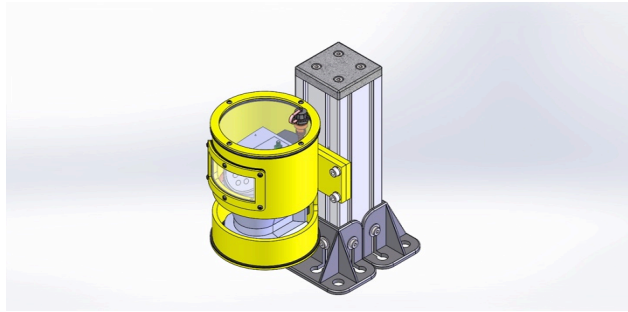


BENEFITS

- Reduced downtime & maintenance expense due to damaged scanners.
- Splash and flying debris protection with the optional cover kit.



Product Description

The LSG-K is a protective guard for Keyence Scanners that affords protection of the scanner from impacts, flying debris, and splashes. The guard provides a field of view of the scanner to approximately 270 degrees. When used with optional cover kit, the guard is equipped with a dust tight USB bulkhead connector that removes the scanner's USB port with ease. The guard comes with a generic mounting flange.

Typical installations include systems found in steel mills, foundries, robotic welding cells, high traffic areas, and other dusty environments or where impacts to the scanner body are likely.

Options

LSG-K-OPT-M Floor Mounting Kit

The optional floor mounting kit is designed to mount the scanner at a height of x to y inches above the floor's surface either horizontally or vertically. Included with the kit is a post, mounting flange adapter, two floor mounting feet, and the fasteners required to attach the guard to the post. Not included are the floor anchors. It is up to the customer to choose a suitable floor anchor. [The post and mounting feet are parts from the Minitec Framing System.]

LSG-K-OPT-CVR Cover Kit

The optional Cover Kit includes coverings for the top and front upper opening of the guard. The kit has been designed to provide a layer of protection around the scanner in environments where flying debris or splashes may otherwise impair or damage an unprotected scanner.

APPLICATIONS

- Impact Protection to a Scanner
- High traffic Areas
- Steel Mills
- Foundries
- Robotic Cells

Specifications

Diameter: 6.25 inches
Height: 8.8 inches
Supported Scanners: Keyence SZ Series*

*The LSG-K is designed to fit Keyence SZ Series Scanners. A scanner is NOT included with an LSG-K. Scanners are available for purchase separately from ASG, from Keyence directly, or from other authorized Keyence distributors.

What's in the Box

- Safety Yellow Guard
- Mounting Flange
- Optional Floor Mounting Kit (see below)
- Optional Cover Kit (see below)

Ordering Information

Part Number: LSG-K
Description: Laser Scanner Guard for Keyence SZ Series Scanners

Part Number: LSG-K-OPT-M
Description: Optional LSG-K-OPT-M Floor Mounting Kit

Part Number: LSG-K-OPT-CVR
Description: Optional LSG-K-OPT-CVR Cover Kit

Where to Order
Telephone: (256)-319-6156

Installation Instructions

1. Mount the enclosure either horizontally or vertically using the mounting flange of the enclosure. An optional floor mounting kit is available.
2. Install the scanner using the existing scanner mounting holes.
3. Route the scanner's power/IO cable through the guard and connect it to the scanner.

Dimensions (in)

